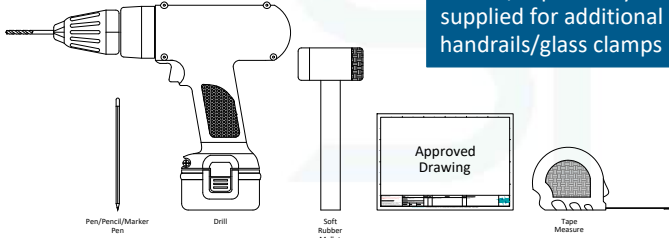


ELEGANCE System Install Guide

1

Tools required for installation

Drill/Tap Kit only supplied for additional handrails/glass clamps

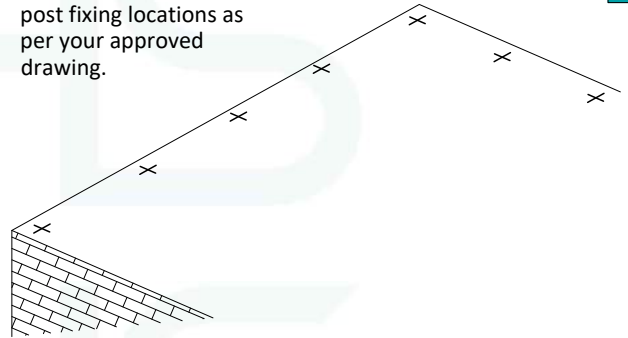


Included in the supplied 'Drill & Tap' kit:

- Handrail Drilling Jig (Size Dependent On Tube Dia.)
- 5mm HSS Drill Bit / 6.8mm HSS Drill Bit
- 6mm Tap / 8mm Tap / Hand Tapping Wrench
- Square Head Centre Punch
- Allen Key Set
- Scotchbrite Cloth
- Glue
- Stainless Steel Cleaning Solution.

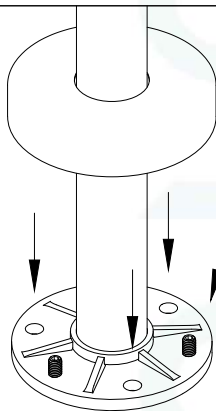
2

Measure & set out the post fixing locations as per your approved drawing.



3

Ensure posts are fixed level



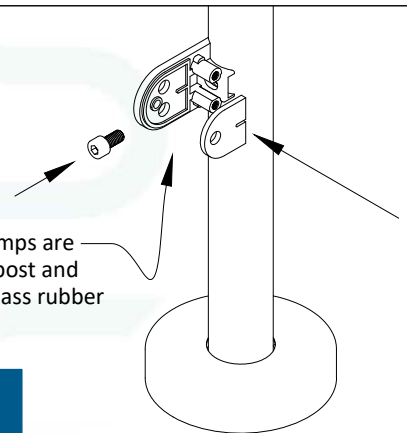
Fix post bases to your suitable substrate using suitable fixings.

(Ensure cover plates are installed prior to installing glass clamps)

*Baseplate style indicative and subject to change with individual requirements

4

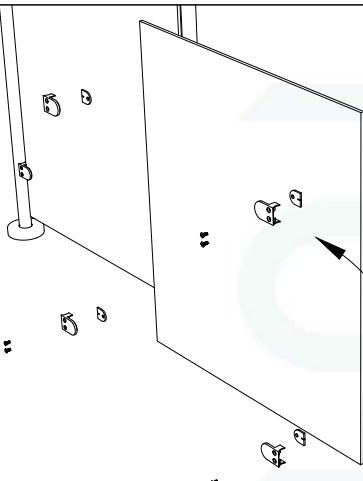
Ensure clamps are secure to post and press on glass rubber



6mm Allen Key Rqd.

5

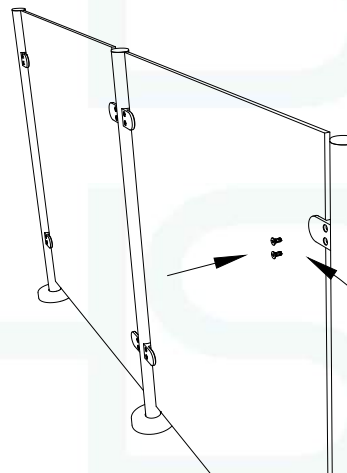
Offer up glass panel and secure in place using the second glass rubber and half of glass clamp



6

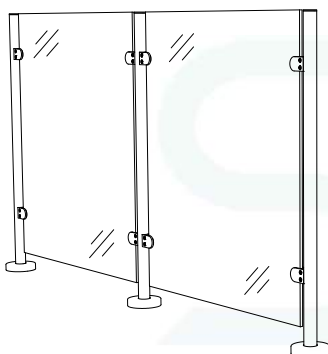
Use a 4mm Allan Key to tighten the screws and secure the clamp.

Ensure the clamp is fully closed, the gap between each 'half' should be a hairline width.



7

Complete your installation by cleaning your balustrade, use the scotchbrite cloth to remove any light surface imperfections from the install



ELEGANCE System Install Guide

Need More Help? Visit www.stainless-handrailsystems.co.uk or call us on 01922 743842 to talk with an advisor



The details in this guide are purely a guide and may not be suitable for all applications