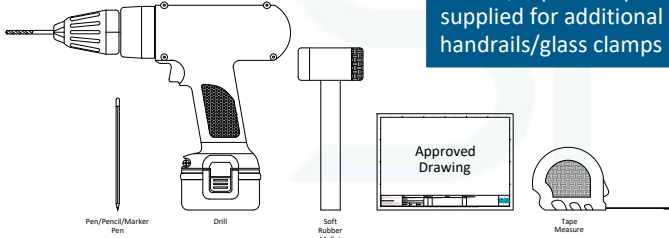


INFINITY System Install Guide

1

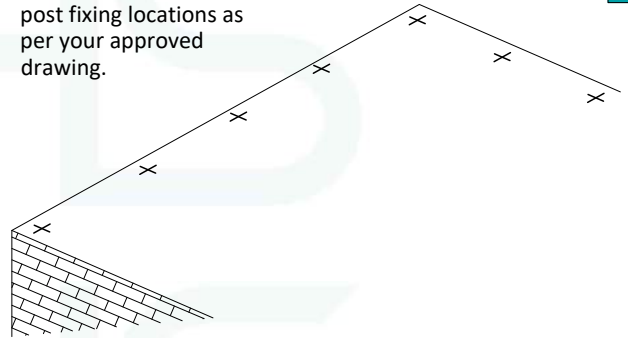
Tools required for installation

Drill/Tap Kit only supplied for additional handrails/glass clamps



2

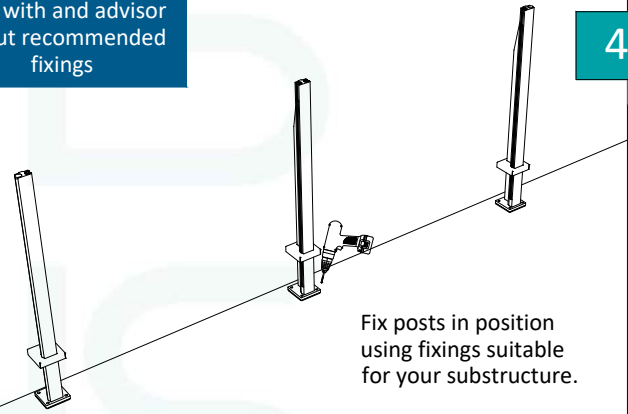
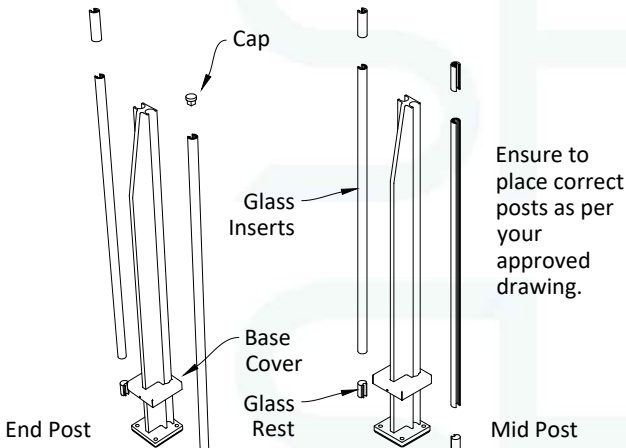
Measure & set out the post fixing locations as per your approved drawing.



3

4

Talk with an advisor about recommended fixings

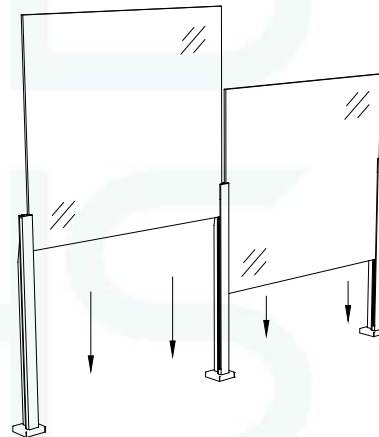
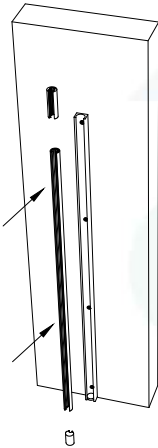


Fix posts in position using fixings suitable for your substructure.

5

6

For orders that include the Infinity Wall Track, mount to your wall ensuring the centre of the track fall in line with the centre of the glass on the opposing post.

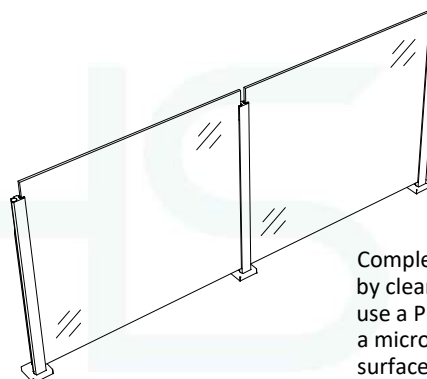


Insert the glass into the rubber inserts, use the friction to help slowly lower the glass.

7

8

Ensure the glass is fully lowered onto the glass rest.



Complete your installation by cleaning your balustrade, use a PH Neutral cleaner with a microfibre cloth to remove surface dirt from posts and glass.

INFINITY System Install Guide

Need More Help? Visit www.stainless-handrailsystems.co.uk or call us on 01922 743842 to talk with an advisor



The details in this guide are purely a guide and may not be suitable for all applications