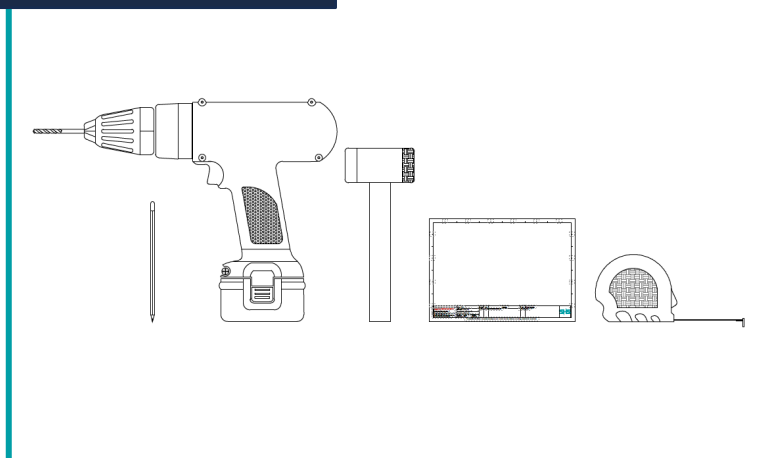


# Mirador Balustrade

Installation Guide



### Step 1

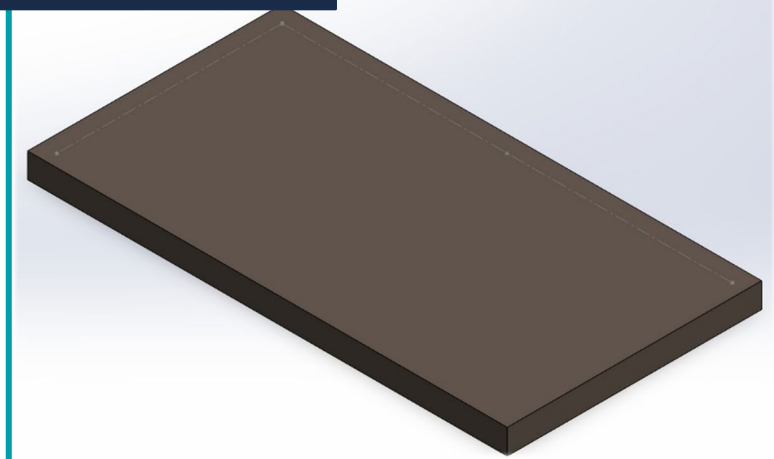


Before beginning the installation of your balustrade, be sure to check that all of your components are present.

Now gather the tools that you will require for installation;

Pencil / Pen / Marker  
Drill  
Soft Rubber Mallet  
Approved CAD drawing  
Tape Measure

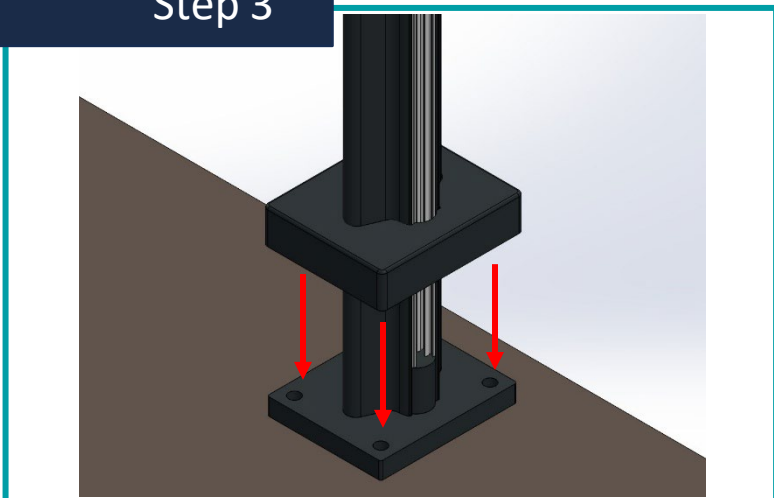
### Step 2



To begin installing your balustrade, you will want to use your CAD drawing to help mark out the post fixing locations.

Your CAD drawing will tell you where the post centres are located.

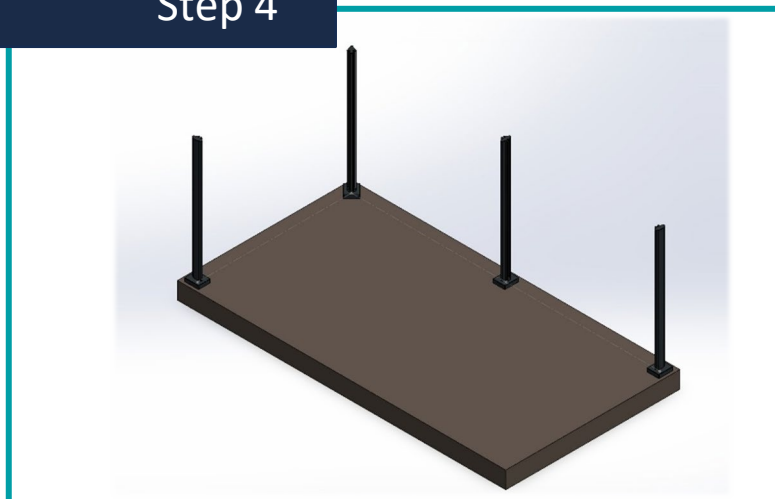
### Step 3



Now fix the post base to your substrate using a suitable fixing.

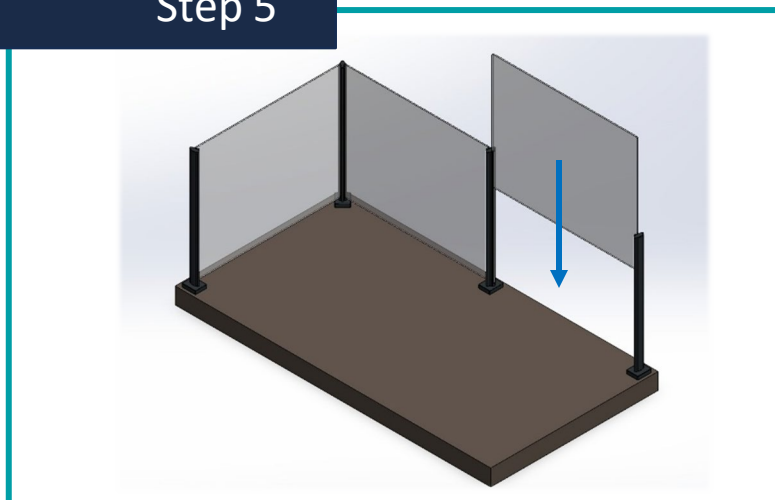
Ensure that the base plate covers are in place before moving on to the next step.

## Step 4



Now repeat this process until all of the posts are secured in place.

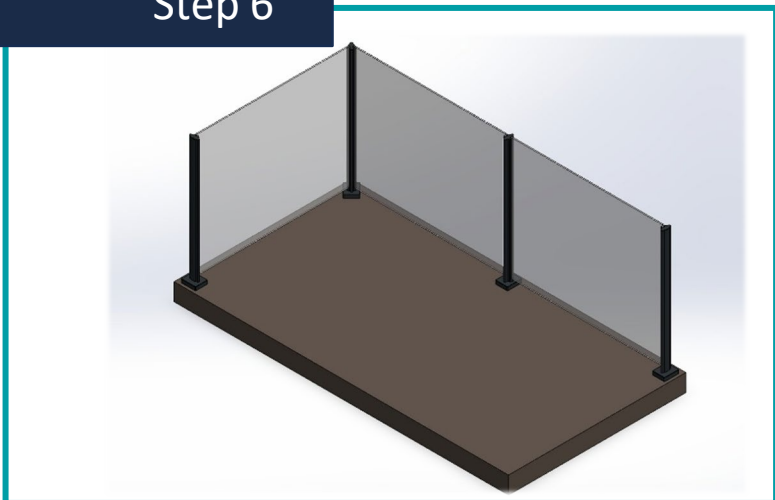
## Step 5



Now that all of the posts are in place, it is time to install the glass.

You may need assistance to lift the glass panels as they need to slot between the gaskets in the posts.

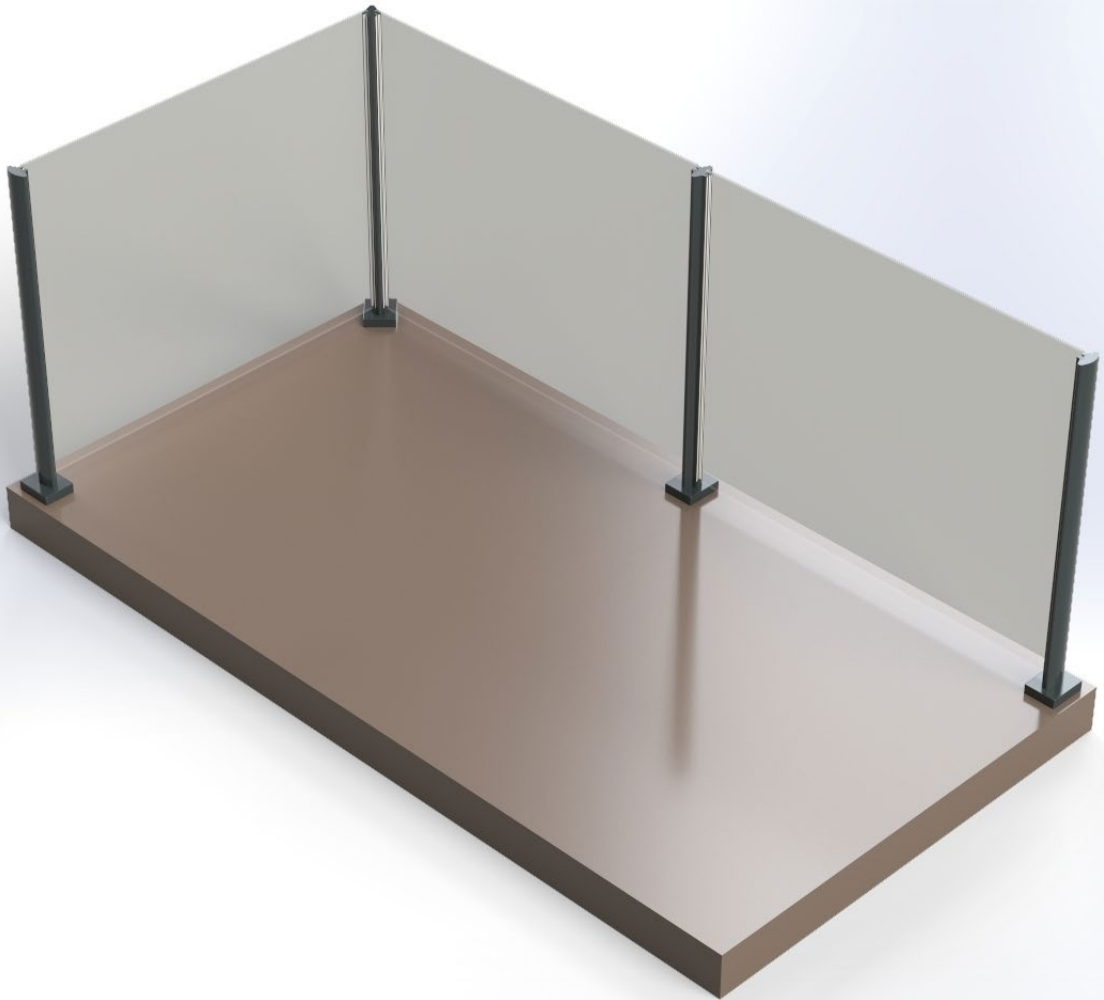
## Step 6



Repeat this process until all of the glass panels are in place.

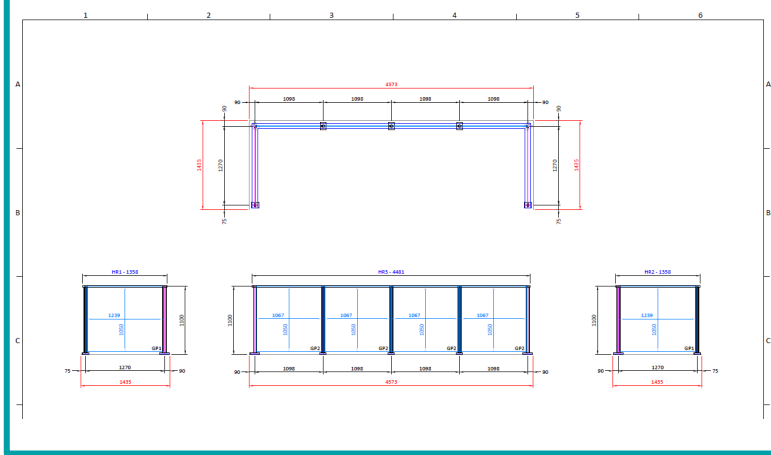
For those who have ordered the Mirador Balustrade system without a handrail, take time to clean down any residue or debris off of the components / glass.

You have now successfully installed your balustrade!



For those who have opted for a Mirador Balustrade system with a handrail, please continue to follow the next steps.

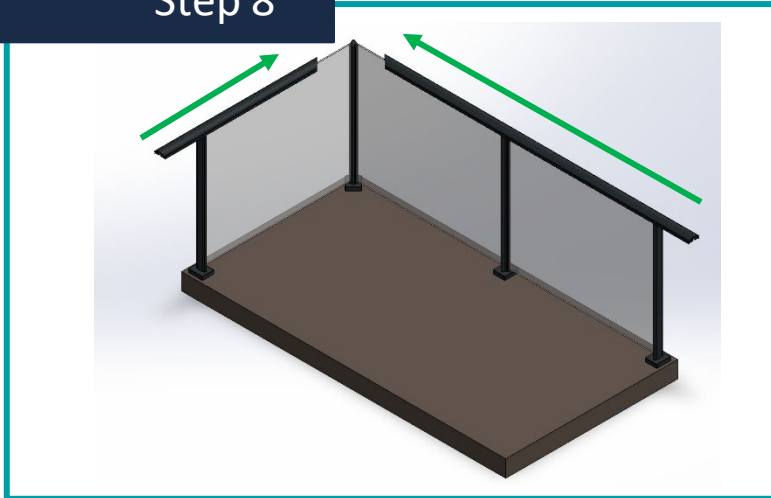
## Step 7



Using your drawing find where the lengths of handrail need to be placed.

Mirador handrails are mitred for corners meaning it is essential to get them the correct way around otherwise they will not fit correctly

## Step 8



Now line up your handrail, press it down and slide into position.

You may want to use a rubber mallet to ensure that the handrail is securely in place.

## Step 9



You finally need to secure the handrail end caps into position by pushing them into place.

You may want to use a rubber mallet to ensure that they are secure.

Now that you have successfully installed your balustrade, take time to clean down any residue or debris off of the components / glass.



If you have any queries or need assistance, then please contact Customer Services;



[customerservice@shs-products.co.uk](mailto:customerservice@shs-products.co.uk)



01922 743 842 (Option 2)