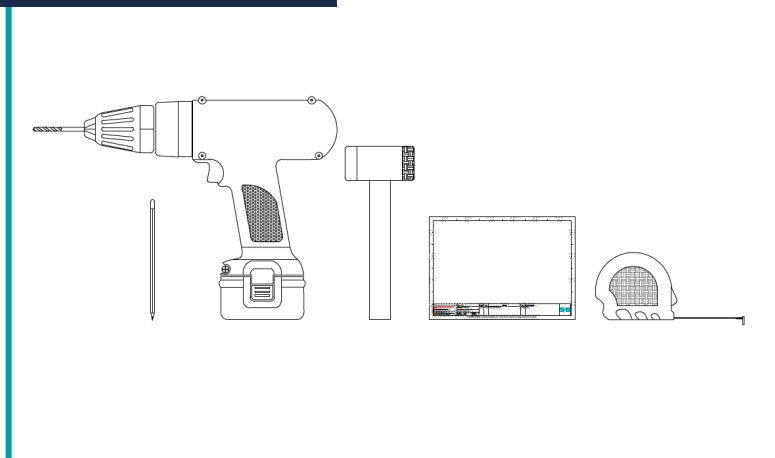


Professional Balustrade

Installation Guide



Step 1



Before beginning the installation of your balustrade, ensure you have all the components required.

Now gather the tools that you will require for installation;

Pencil / Pen / Marker

Drill

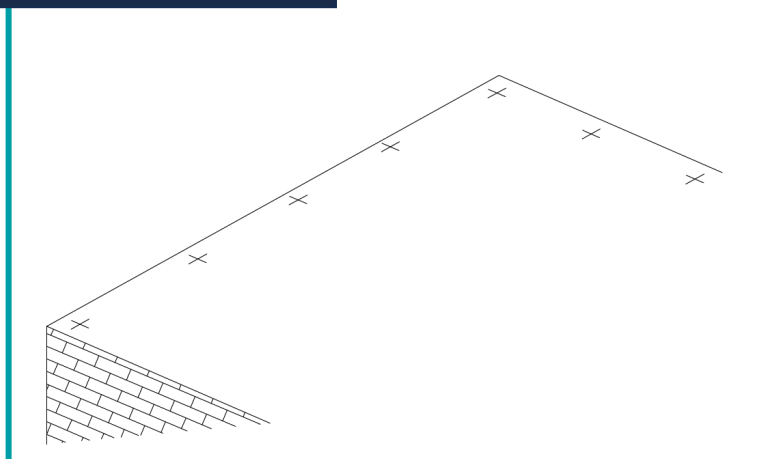
Soft Rubber Mallet

Approved CAD Drawing

Tape Measure

Tap & Drill Kit (Supplied by SHS)

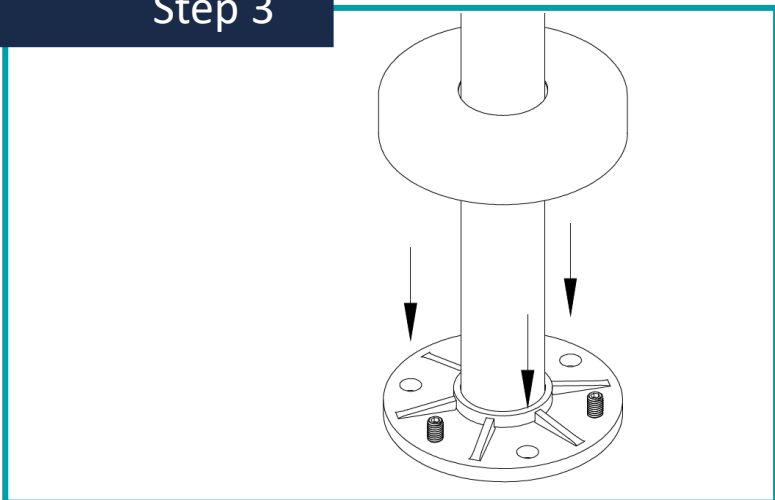
Step 2



To begin installing your balustrade, you will want to use your CAD drawing to help mark out the post fixing locations.

Your CAD drawing will tell you where the post centres should be located.

Step 3

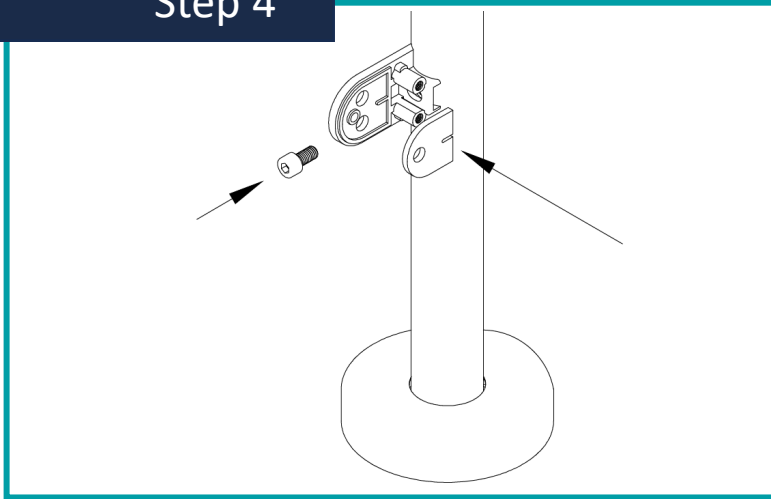


Now fix the post base plates to your substrate using a suitable fixing.

Ensure that the base plate covers are in place before moving on to the next step.

*Base plate style is indicative and subject to change per individual requirements.

Step 4



Using a 6mm Allen Key, secure the glass clamps to the posts. These holes will typically already be drilled & tapped for ease of installation.

Press the glass rubber into place.

Step 5

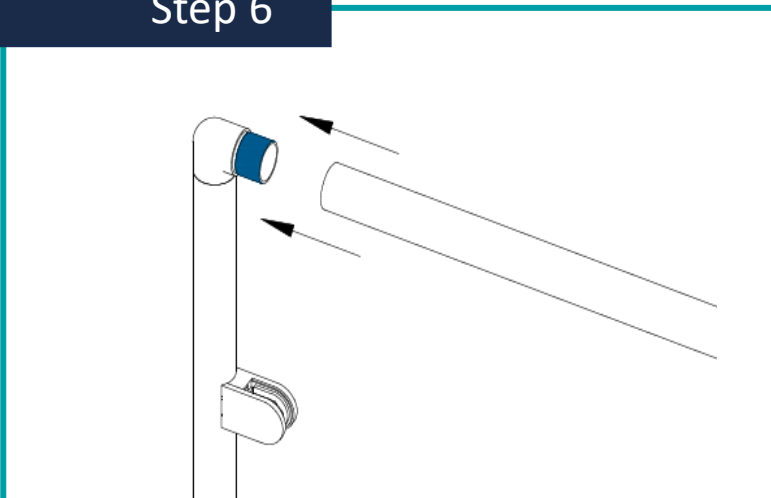


Now that the posts are installed, it's time to move onto the handrail.

For saddle supports, drill and tap the handrail to M6.

For more information, please check out the drill & tap guide.

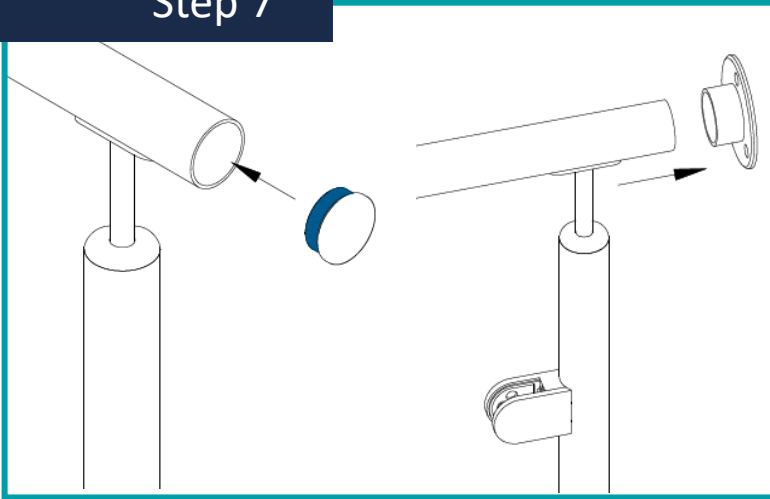
Step 6



For elbow connectors, use Loctite 634 adhesive (or similar) on the insert, slide the handrail into place, and leave to cure (if necessary).

Take time to clean off any glue residue from the handrail and post surface where it has been pressed together.

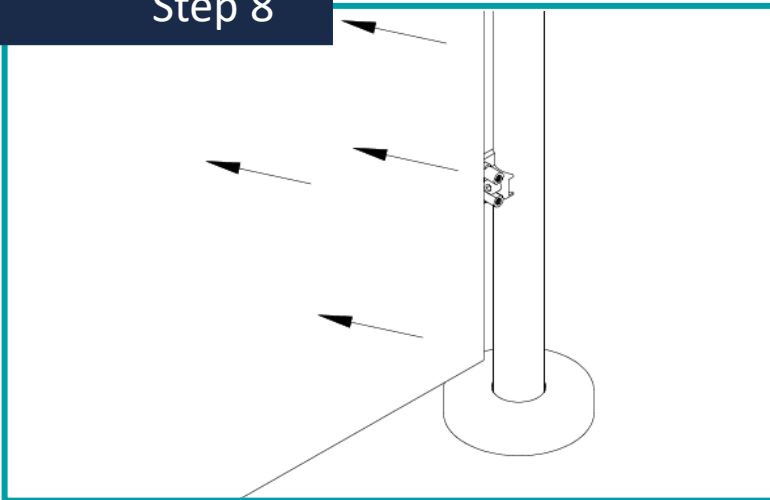
Step 7



For end caps, apply glue to the insert and use a soft mallet to softly tap the cap in to place.

For handrails terminating at a wall with a wall flange, you will need to drill 3 holes in position and secure the wall flange using the raw plugs and screws provided

Step 8

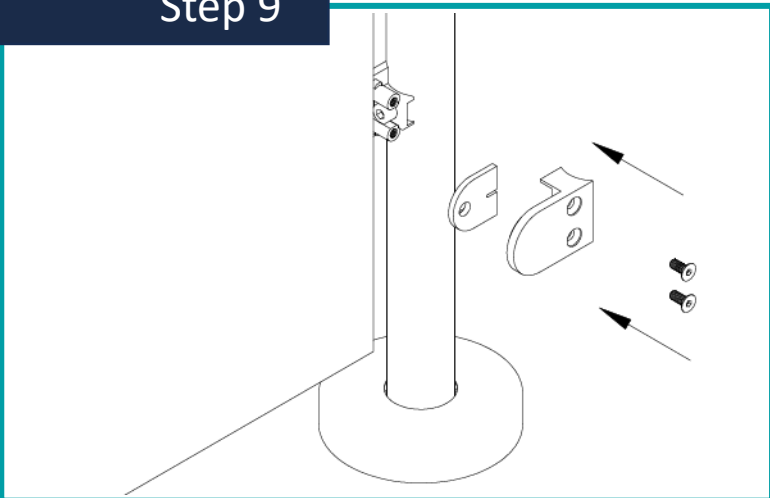


Once the handrail is completely installed the glass can be put into place.

This requires raising the glass onto the exposed glass clamps.

You may need assistance or to use timber to help raise the panel off the floor.

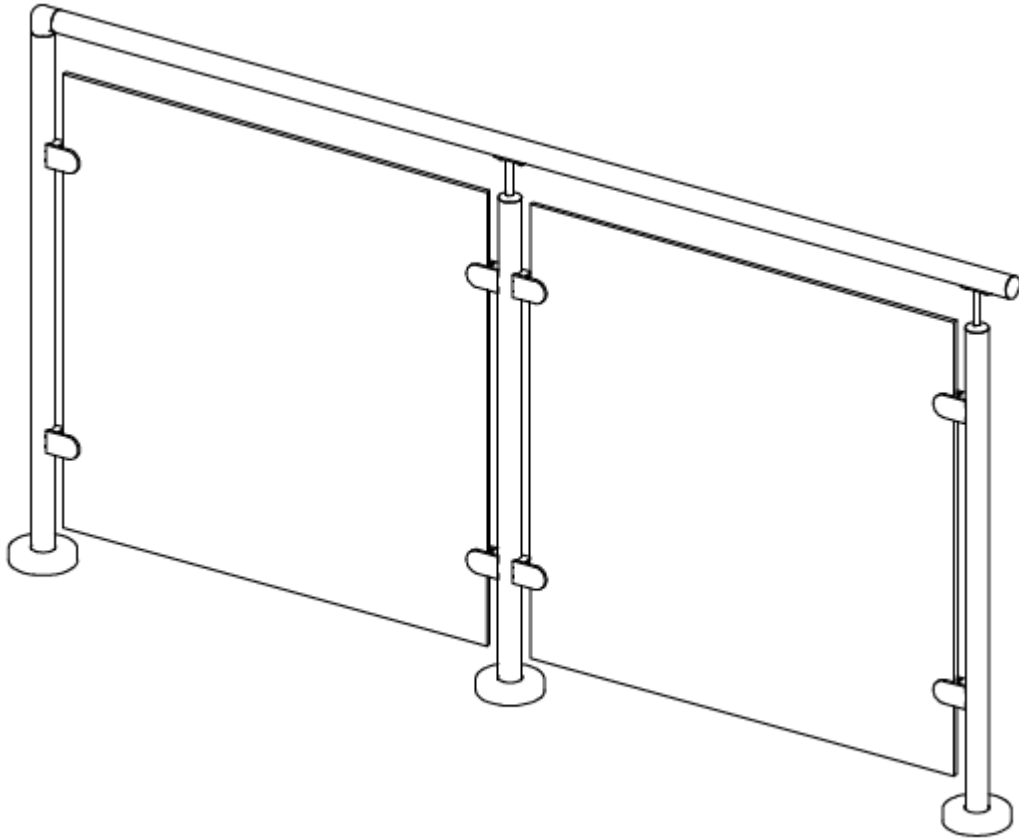
Step 9



The other half of the glass clamp will then need to be installed in place with the half that is already secured to the post.

Using a 4mm Allen Key, ensure the clamp has been fully closed against the other half. Any gaps or uneven closure could cause the glass to slip.

Now that you have successfully installed your balustrade, take time to clean down any residue or debris off of the components / glass.



If you have any queries or need assistance then please contact Customer Services;



customerservice@shs-products.co.uk



01922 743842 (Option 2)